

ZURICH
NBP-06311



FREESTANDING BATHTUB INSTALLATION

THANK YOU FOR CHOOSING NELLA™

Welcome to the Nella™ family. We are confident Nella's™ superior quality, design and aesthetic will enhance your bathroom experience for many years to come. If you have any questions regarding your Nella products please contact your local sales representative or visit our website www.nellabath.com for customer support and service information.

Thank you again,
NELLA™

PRIOR TO INSTALLATION

Prior to installation please be sure to review all installation instructions with a licensed or qualified plumbing technician who is familiar with all local plumbing and building codes in your jurisdiction.

PRODUCT FEATURES AND DESCRIPTION

FEATURES

- Solid Surface Soaking bathtub with Overflow
- Free-standing installation

INCLUDED COMPONENTS

- Freestanding bathtub
- Chrome-plated brass and drain assembly with white solid surface cover

CODES AND STANDARDS

Meets or exceeds:

- IAPMO-ANSI Z124.1
- IAPMO-ANSI Z124.3
- CSA B45.0-CSA B45.4
- cUPC



IMPORTANT - PRIOR TO INSTALLATION

Before you begin please be sure to review the steps below to ensure preferred installation results.

1. Unpack your new NELLA™ product and confirm it is the correct model ordered and inspect the product for damage. Please keep product in its original packaging until you are ready for installation.
 2. Confirm that all walls are plumb and all mounting/installation surfaces are level.
 3. Shut of existing water supply.
 4. Confirm that your plumbing technician has the proper/recommended tools for proper installation.
-

ZURICH
NBP-06311



IMPORTANT - PRIOR TO INSTALLATION

Immediately upon receiving your Nella bath tub and removing it from its packaging we strongly suggest IMMEDIATE INSPECTION of your Nella product for potential freight damage. Any claims for damage visible or hidden, must be made immediately in order for the carrier to assume full responsibility and absorb any associated costs.

If damage or defect is discovered DO NOT INSTALL your Nella product. Any claimed damage or defect to the finish of the product after the product has been installed will be excluded from any manufacturer warranty.

To ensure this product is installed properly you must use an extremely knowledgeable and experienced plumbing professional or licensed contractor.

We suggest a minimum of two people perform the installation of Nella freestanding bath tubs.

Please keep this information for future reference.

All final connections are made below the finished floor - accessibility below the finished floor is recommended

Please take the necessary precautions to protect your Nella product. We suggest using a soft, cloth blanket to COVER THE FLOOR and set the bath tub on during installation to ensure the product is not scratched or damages.

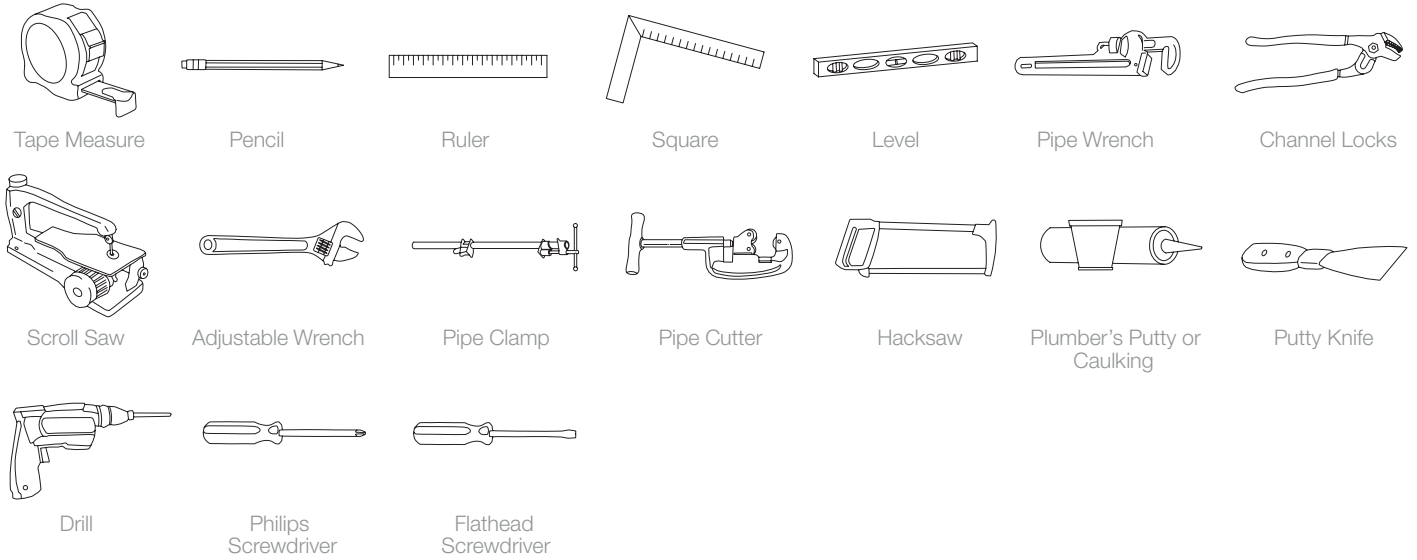
Avoid dropping the tub during the handling to prevent chipping or damages. We recommend using rubber gripped gloves to handle this tub. Please inspect the tub before the installation.

ZURICH

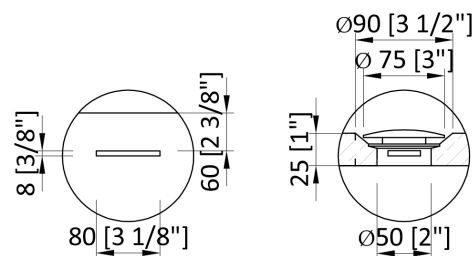
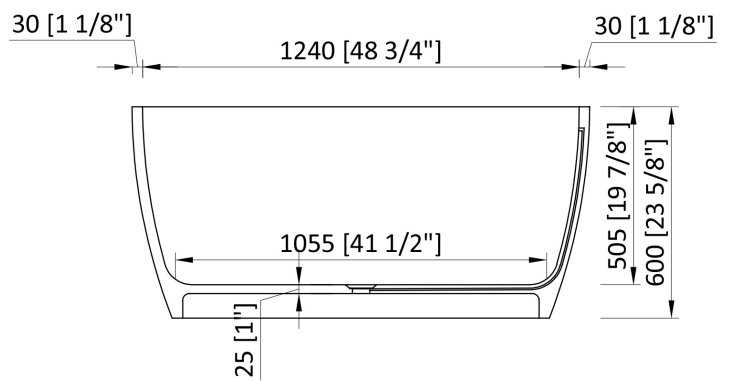
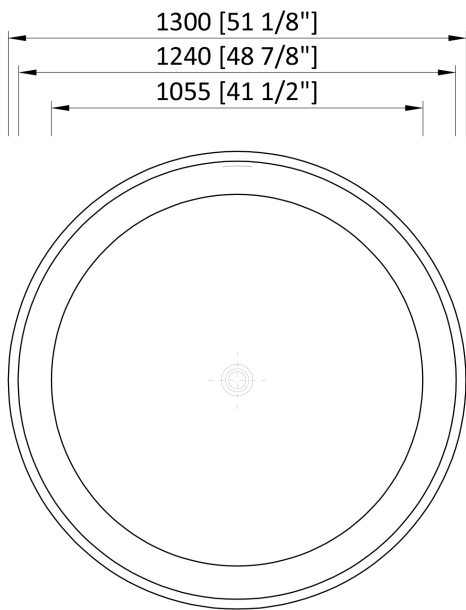
NBP-06311



FREESTANDING BATHTUB INSTALLATION



ROUGH-IN DIMENSIONS



ZURICH

NBP-06311

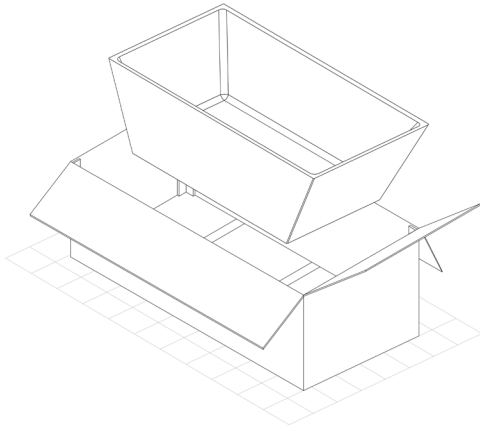


WASTE AND OVERFLOW ROUGH-IN

Nella freestanding bathtubs do not use cable or trip lever systems to operate the drain stopper. Each bath tub uses a simple pop-up drain which is activated by applying pressure and pushing down on the drain.

Each bathtub has an internal overflow channel built INSIDE the wall of the bathtub. There is no drain shoe.

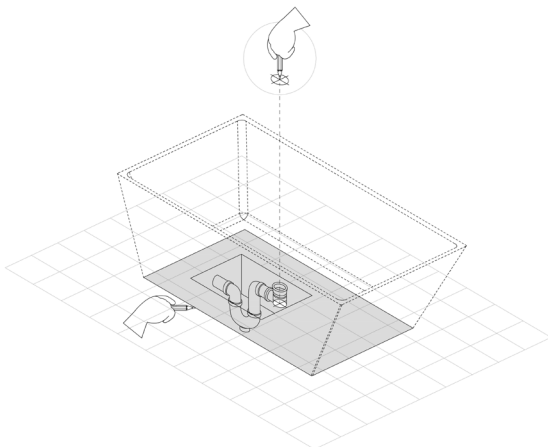
1. Remove the bathtub from the box.



2. Place bathtub in desired location on bathroom. Attention should be given to bathtub placement to ensure the bathtub drain and plumbing are note located directly above floor joists.

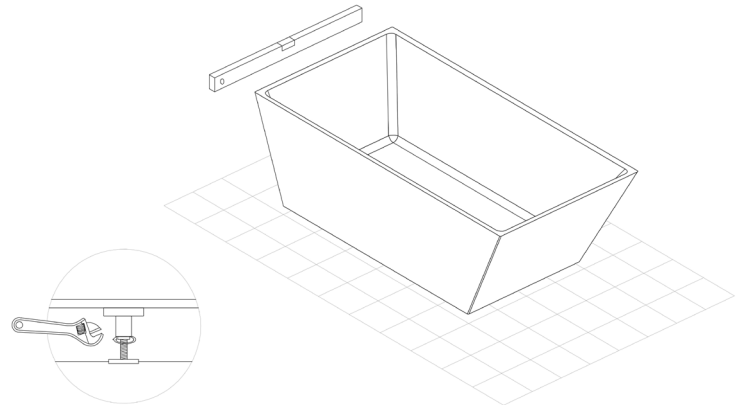
3. Once the desired location has been verified and confirmed – set the bathtub in place.

Using a pencil or non-permanent marker trace the bottom of the bathtub length and width, marking the outline of the tub.



4. With the tub still in place mark the location and center-point of the drain outlet.

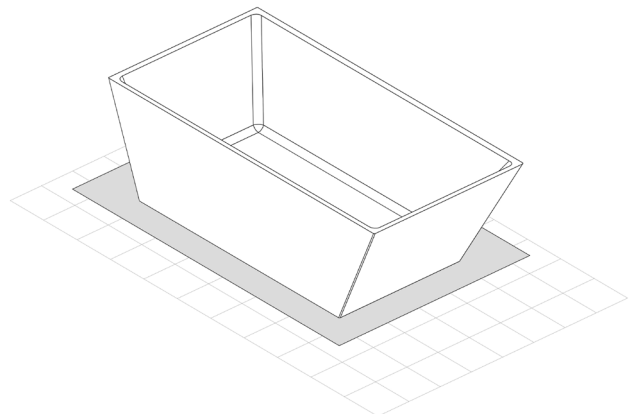
5. Be sure the bathtub rests on the finished floor in a level position.



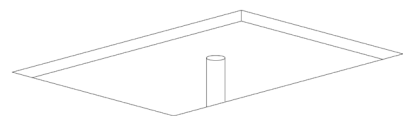
****IMPORTANT**** - Water will only drain properly to the waste outlet if the bathtub is level.

****If installing a Nella™ acrylic bathtub use the provided self-leveling feet (not applicable to NellaMar™ solid cultured stone products) and confirm that the bath rests level on the finished floor.**

6. Place bathtub on a soft, cloth blanket or other protective material. Rest tub on its side to allow for drain and overflow assembly.



7. Create an opening in the finished floor with ample space to accommodate a P-trap assembly or flex-hose assembly.

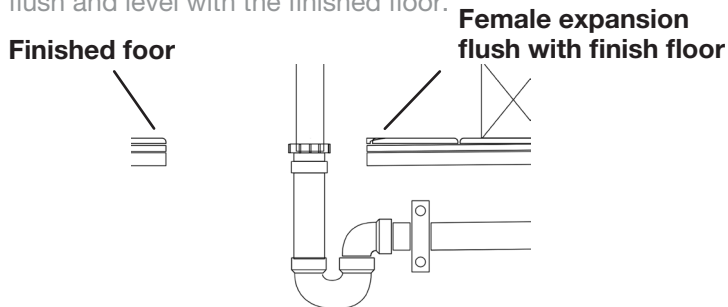


****IMPORTANT**** - Depending on the building codes and requirements in your region the required installation method will vary.

WASTE AND OVERFLOW ROUGH-IN

8. Assemble the female part of your expansion joint to the P-trap.

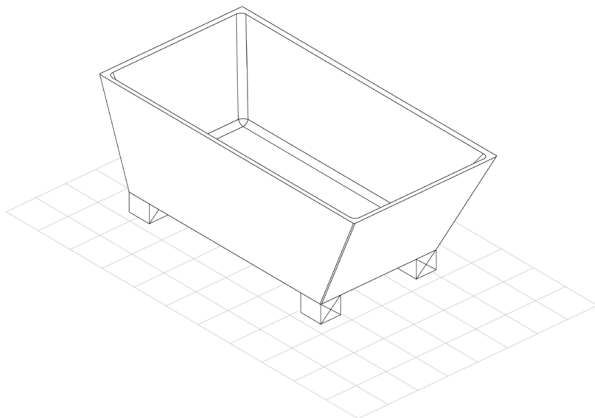
****IMPORTANT**** - Be sure the expansion joint is flush and level with the finished floor.



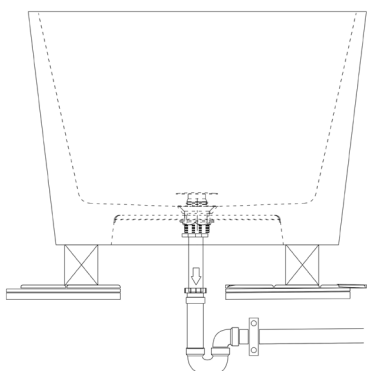
Once in place and flush with the finished floor – secure the female expansion joint and P-trap to a floor joist with a steel-strap to hold it in place.

9. Install the bathtub drain and connect the male expansion joint, being sure you leave ample length to connect securely to the female expansion joint below the floor.

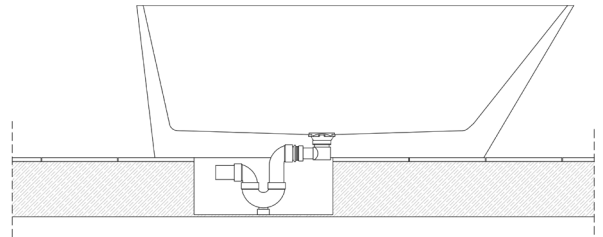
10. To allow easy access for final connections, place the bathtub (with the drain assembly in place) on two pieces of 4"x4" lumber directly above the floor opening and P-trap location



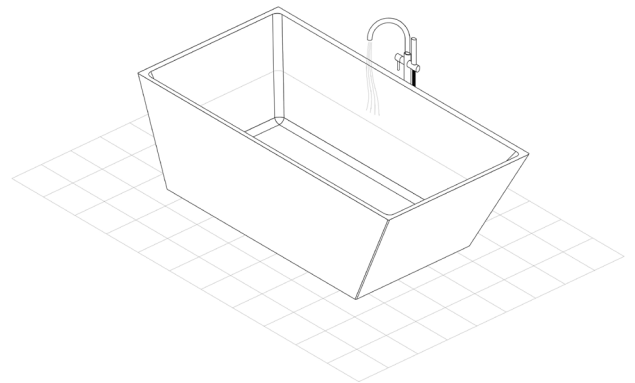
11. Proceed to insert and connect the male expansion joint to the female expansion joint



and gently rest the bathtub on the finished floor.



12. Fill the bathtub with water to check that all water flows freely to the waste outlet.



13. As water drains from the bathtub, inspect all connections above and below the flooring for leaks.

14. Run a bead of silicone caulking around the bottom edge of the bathtub where it meets the finished floor. Wipe away the excess caulk with a damp cloth. Allow to set for 24 hours.

